



[manager@conveyortech.com.au](mailto:manager@conveyortech.com.au)

## REMOTE NDT BELT SCANNERS

### Electrical Setup - Connection Modem and Scanner

Mine :

Contact :

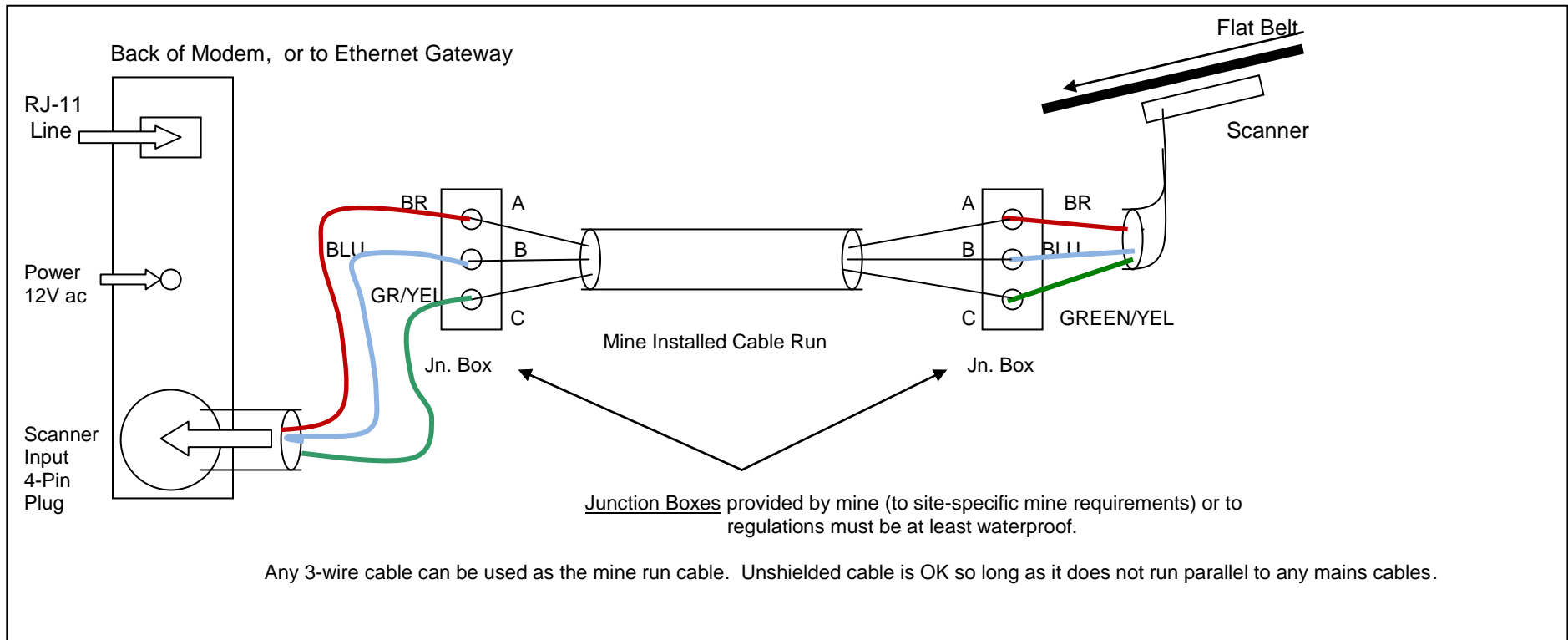
Modem Type / Model : RDA-7

Example Setup Document :

Modem Supplied : Model RDA-7, 12V A.C. Power pack, 1.8 m phone cable for standard RJ-11 connection.  
Input Isolation Protection when not on-line, Power ON (Green LED), Data Send (Red LED)

### PRECAUTIONS :

1. **Never connect a voltage source to the scanner cable or modem cable input connector.**
2. **Only perform testing with a quality digital multi-meter.**
3. **Unplug modem Power and Phone line if or when lightening is forecast. A best solution is to perform these actions after each scan and turn units on for scanning.**
4. **Do Not GROUND any connection or power cable. The modem floats relative to earth and phone ground.**
5. **Try not to run cables beside 240 or other ax voltage sources that will cause hum on the scanner signal.**



- NOTES :
1. Keep modem cable unplugged during wiring of the mine Cable Run and junction boxes.
  2. After scanner is wired, test the DC resistance of the scanner from the plug end at the modem.
  3. A multi-meter placed across Pins 1 to 3 should read 45 ohms., and across Pins 1 and 2, reads 18 ohms.
  4. When continuity is proven, connect scanner cable to Modem 4-Pin socket.
  5. Power up the modem and notify CTPL for the scan to begin.